

(FASTRON.)[®] MERIDIAN Series for Frymaster MJ50 Gas Fryers Direct Replacement Kit



Easiest To Install & Use

Simply remove the original controls from the fryer manufacturer and slide in the (FASTRON.)[®] controller made by the industry's controller specialists.

Ensure Food Safety and Quality

Product that is undercooked or held too long in the Danger Zone (40°-140°F/5°-60°C) can potentially expose your customers and crew to dangerous food-borne illness. Bacteria multiplication can be prevented by controlling the time a product is cooked and/or held. The Meridian helps operators avoid food safety dangers by automatically monitoring these cook and hold times. Precisely timed products deliver consistently good-tasting food to your customers. Hold timers also ensure that expired product is never served.

Increase Yields

Independent tests show the (FAST.Flex)[™] cooking curve provides the best and most consistent yields across load sizes and cooking temperatures, regardless of product temperature and moisture content. A reduction in food waste can also be realized.

Easy to Program

(FAST.Nav)[™] mobile phone style and predictive text programming reduces training time and increases productivity.

User-Friendly Messaging

Dual, 14-segment 8-character displays allow a greater range of names and prompts to be used. Create your own product menu and action alarm names, or choose from a pre-programmed library of standard menu items.

Interchangeable with Other Fryers

Easily move your Meridian to another fryer eliminating the need to purchase a new control. The controller can be configured to work on fryers from a variety of manufacturers.

Secure Operation

Separate pass codes for store managers and employees prevent unauthorized re-programming.

Energy Savings (optional)

Save energy dollars with the Kitchen Brains[™] patented Set Back feature. The controller will automatically lower the appliance's temperature during inactive periods.

Filter Lockout Oil Management (optional)

Reduce costs by extending the usable life of your oil with the Kitchen Brains[™] patented SmartStat[™] temperature control technology. Filtering your oil at pre-set time(s) of the day will not only give you longer oil life, but will also improve product flavor and reduce the amount of time and labor it takes to change out the oil.

24/7 Technical Support

As with all Kitchen Brains[™] products, the (FASTRON.)[®] Meridian comes with 24-hour programming assistance via toll-free phone.

The Kitchen Brains[™] Upgrade Kits for Frymaster MJ50 Gas Fryers give **higher and more consistent yields** than any electromechanical controls or other electronic controllers already installed in your kitchen.

Standard Meridian Features

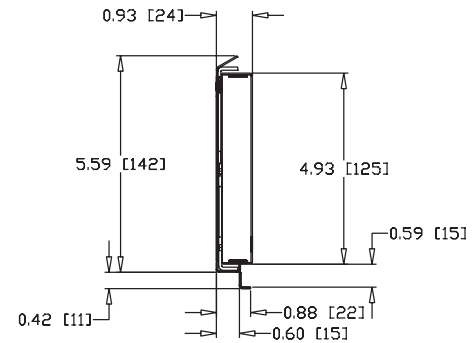
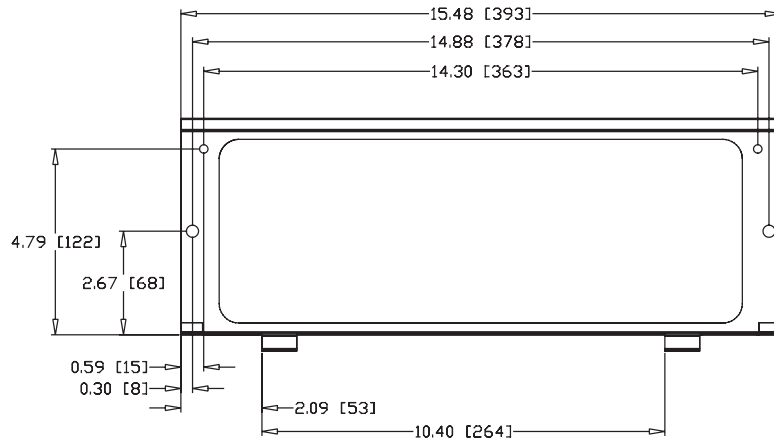
- 18 Product Keys to support ever-changing menus. More space for LTOs (limited time offers).
- Fully RoHS compliant
- Larger LED displays with 8 characters per side
- Appliance mode front-panel selectable: gas, electric, propane, etc.
- Replaceable menu strip for quick and easy menu changes
- Replaceable feature key menu strip with globalized symbols
- SCK Xwire[™] wireless communications compatible for the networked kitchen
- (FAST.Edit)[®] and (FAST.Transfer)[™] compatible. Reduces time and cost to change recipes. Ensures consistent recipes across all appliances/ restaurants

Optional Meridian PLUS Features

- Product and Action Alarm name library programming
- Adjustable audio alarm levels
- Diagnostic feature to assist with testing all inputs and outputs
- 3 pre-programmed fryer types (Universal Appliance Control)
- Energy-saving "set back" mode
- 3 action alarms per key
- 10 cooking stages instead of one
- Twice the hold times
- Filter lockout oil management
- SCK Link[®] software giving you the most advanced communications capability available for HACCP reporting and automated on-line kitchen management.

(FASTRON.)[®] MERIDIAN Series for Frymaster MJ50 Gas Fryers

Direct Replacement Kit



SPECIFICATIONS

MECHANICAL

- Bezel: 16 ga. stainless steel
- Front panel: .080 aluminum
- Chassis: .040 aluminum
- Polyester face with back-printed text
- Maximum ambient temperature: 158°F / 70°C

ELECTRICAL

- Power: 12V, 50/60 Hz, 40VA
- Solid-state integrated circuit design
- Membrane keypad life: 5 million cycles
- Status indicators rated life: 50,000 hours
- Input: 1 temperature sensing thermistor probe
- Output: 12V DC
- Noise spike protection: 4,000 volt minimum (on timers and all properly installed controls)

SHIPPING WEIGHT

- Approx. 10 lbs. [4.6 Kg]

SHIPPING DIMENSIONS

- L 17 X W 9 X H 8 inches

The Kitchen Brains™ Replacement Kit consists of everything you need to **easily and quickly** replace the existing controller with the Upgrade Kit: (FASTRON.)[®] 18 product controller, front panel bezel, wiring harness, probe.

ORDERING INFO

RX1FMJ50SNGL Single Vat for a Complete Upgrade Kit

Included with the kit are the following:

231-60224-01	Controller
222-50233	Harness 12V Frymaster

RX2FMJ50DUAL Dual Vat for a Complete Upgrade Kit

Included with the kit are the following:

231-60224-02	Controller
222-50233	Harness 12V Frymaster

*Ordering information contains a Meridian. Consult factory for part numbers of other available models.



KITCHEN BRAINS

Driven by **(FAST.)[®]** Networked by **SCK**

Food Automation - Service Techniques, Inc.
905 Honeyspot Road, Stratford, CT 06615-7147 USA

Phone: +1-203-377-4414

Sales: **1-800-FASTRON**

Fax: +1-203-377-8187

International Callers: +1-203-378-6860

www.KitchenBrains.com

Toll-free technical support 24/7 from the U.S., Canada, and Caribbean: **1-800-243-9271**



SCK Link® is a registered trademark of Technology Licensing Corporation and use is subject to the appropriate license agreement.

International offices are located in the United Kingdom, China and Singapore:

Europe, Middle East, Africa, South Asia
31 Saffron Court Southfields Business Park
Basilidon, Essex SS15 6SS ENGLAND
Phone: +44 0 1268544000

Asia Pacific
1803, 18F, No 922 Hengshan Rd
Shanghai 200030, CHINA
Phone: +8613916 854 613

15-101, Block 290G, Bukit Batok St. 24
SINGAPORE 65629
Phone: +65 98315927

WARRANTY

Kitchen Brains warrants all new timers, computers, and controllers for 1 year from the date of purchase including computers, controllers, and timers. Kitchen Brains warrants all other items for a period of 90 days unless otherwise stated at the time of purchase.

PATENTS

The products manufactured by Kitchen Brains are protected under one or more of the following U.S. Patents:

5,331,575	5,539,671	5,711,606	5,723,846
5,726,424	5,875,430	6,142,666	6,339,930
6,401,467	6,581,391	7,015,433	7,650,833
7,877,291	8,060,408		

Plus foreign patents and patents pending. Plus licensed patent 5,973,297