



KitchenEssentials™

Meridian Timer

ELEVATING APPLIANCE PERFORMANCE

The Meridian Process Controller is a cutting-edge control solution that elevates foodservice equipment performance. Designed for a wide range of applications, including grills, fryers, and ovens, the Meridian Timer offers precise timing and control beyond simple on/off functionality.

Key features include intuitive interfaces and advanced capabilities, such as innovative compensating cooking techniques. These features not only enhance food quality and consistency but also streamline workflows and differentiate your appliances with smart technology. By empowering OEMs with a superior control solution, the Meridian Timer helps you gain a competitive edge in the market.



Reduced Development Costs: Streamlines product development time and cost through a pre-engineered, tested, and proven customizable control solution.

Versatile Applications: Adaptable to a wide range of appliances, i.e. grills, fryers, ovens, broilers, holding stations, rethermalizers, and more.

Enhanced Product Differentiation: Differentiate your appliances with advanced features, intuitive user interfaces, and smart technology performance.

Improved Customer Satisfaction: Enhance customer satisfaction and brand loyalty through smart technology designed for the commercial kitchen, reliable performance and user-friendly controls.

Reduced Support Costs: Minimizes customer service inquiries with reliable and robust performance, and simplified troubleshooting.

Elevate your appliance offerings with advanced control, enhanced performance, and unparalleled value.

Features & Benefits

Multiple Appliance Configurations

Supports a wide range of appliance types with software-selectable configurations and tuning parameters enabled by (FAST.Flex)™.

User-Friendly Interface

10 or 18 product keys with a large 14-segment, 8-character display for a greater range of names and prompts.

Intuitive Programming

Featuring (FAST.Nav)™, the Meridian Timer offers simple and easy-to-use keys for intuitive programming.

Programmable Duty Cycle Flexibility

Controls time, temperature, motor control, dampers, circulating pumps, solenoids, actuators, clean mode, detergent dispensing, and more.

Product and Action Alarm Customization

Product and action alarm names are selectable from a built-in library or can be entered manually.

Communication Protocols

Optional connectivity for HACCP reporting and integration with automated kitchen systems.

Enhanced Performance

Optional real-time clock and up to 10 cooking stages for complex applications.

Compliance & Safety

RoHS compliant to reduce hazardous substances and meet all domestic and international standards.

KitchenBrains®

Commercial Kitchen Intelligence

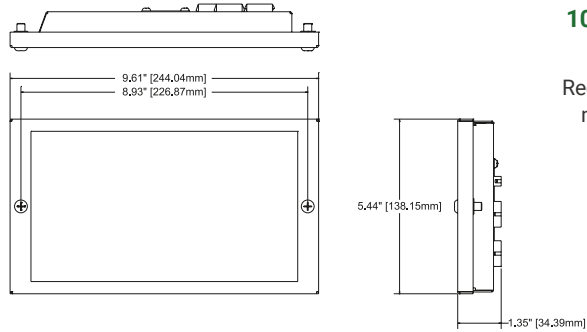
www.KitchenBrains.com | 800.243.9271

Specifications

- Input Voltage: 24VAC +/-10%; 50/60 HZ
- Power Consumption: 40 VA max.
- Temp. Probe (Analog) Inputs: Up to (2) 1K RTD or 91K thermistor
- Digital Inputs: (4) 24VDC digital inputs (door switches, product load switches, etc.)
- Outputs/Type: Up to (8) 24VDC relay driver outputs; (1) 24VDC PWM output (10K or 20KHz) to drive remote relays, heat sources, basket lifts, solenoids, valves, and other requirements.
- Audible Output Devices: Piezo 95dB at 5 feet (1.5 meters)
- Temp. Control Range: 32-550°F (0-287.7°C)
Temp. Offset: +/- 20°F (-6.6°C)
- Temperature Control Type: ON/OFF (Proportioning SmartStat™)
- Hysteresis: -3 to 0°F (-19.4 to -17.7°C)
- Temperature Accuracy: 5° F or C
- Visual Displays: Large 14-segment display; Red single product key LEDs (10 or 20)
- Programming Keys: Membrane keypad (22 or 34); (FAST.Nav)™ programming
- Membrane Keypad Life: 5 million cycles
- Noise Spike Protection: 4,000 Volt Minimum (on timers and all properly installed controls)
- Environmental Operating Conditions: Ambient 158°F/70°C, 95% non-condensing humidity

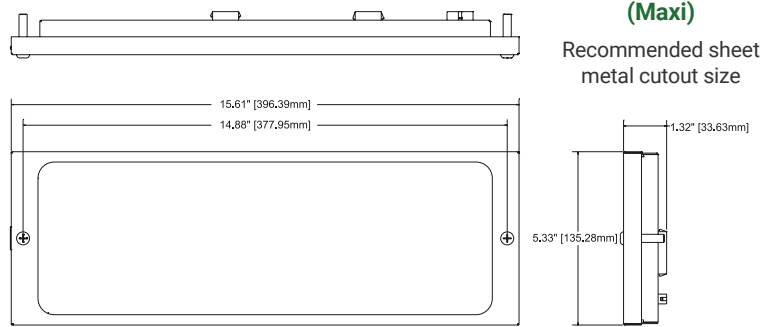
Shipping Weight

- 10-Button: Approx. 3 lbs. (1.40 Kg)
- 18-Button: Approx. 10 lbs. (4.60 Kg)



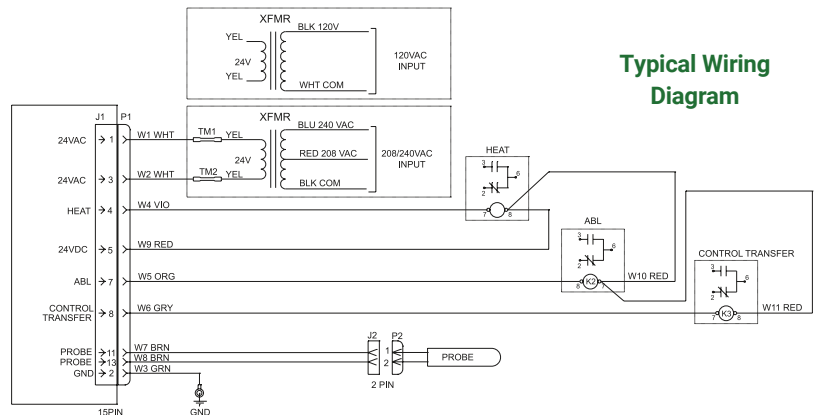
10-Button Control (Mini)

Recommended sheet metal cutout size



18-Button Control (Maxi)

Recommended sheet metal cutout size



Typical Wiring Diagram

Order Info

Part Number	Case Qty
Consult Factory	10

