



KitchenEssentials™

BB Timer

NO INSTALLATION, ENDLESS POSSIBILITIES

The BB Timer by Kitchen Brains is a versatile and user-friendly timing solution that delivers precision and reliability in any environment. In the kitchen, it accurately times cooking processes ensuring quality and consistent results. From grills, fryers, to ovens and holding stations, the BB Timer empowers you to monitor multiple tasks simultaneously. The BB Timer also helps manage time-sensitive tasks and provides valuable reminders, such as staff handwashing protocols.

Enhanced Food Safety: Precise timing helps prevent undercooked or overcooked food, reducing the risk of foodborne illness.

Increased Product Yields & Reduced Costs: Minimize waste and maximize efficiency with accurate timing.

Improved Guest Experience: Deliver consistent, high-quality food every time, keeping your customers satisfied.

Enhanced Productivity: Alerts remind staff of crucial hygiene tasks, promoting a cleaner and safer environment.



Features & Benefits

Durable & Compact Design

Choose from 4- or 8-channel timers, both lightweight and built to last. BB4 and BB8 Timers are durable, yet lightweight and feature a space-saving design. They are fully RoHS compliant, offer splash protection and are water-resistant, with plastic-enclosed IP64 electronics protection.

Easy to Use

Large buttons, clear LED displays, and three volume levels ensure effortless operation.

Multiple Timing Options

Count up or down, set pre-alarms, and choose a global count-up option after an alarm completes.

Simple Programming

Set real time and individual timers with straightforward prompts. Program timing from 1 second to 99 hours in HH:MM or MM:SS formats.

Audible & Visual Alerts

A choice of three volume levels for audio alerts and large LED indicators for across-the-kitchen viewing.

Battery Powered & Portable

No need for an electrician – simply insert batteries and go! Magnetic backing allows for flexible placement on metal surfaces. Optional mounting brackets offer additional flexibility.

Dedicated or Repeating Modes

Use the BB Timer as a dedicated timer or in repeating mode for Crew Alerts, reminding staff of handwashing, sanitizing surfaces, and maintaining hygiene standards in high-traffic areas.

KitchenBrains®

Commercial Kitchen Intelligence

www.KitchenBrains.com | 800.243.9271

BB4 & BB8 Timers

BATTERY TIMERS

Specifications

Mechanical

- Size: 7.42" (188.52mm) L x 6.08" (154.32mm) H x 1.48" (37.62mm) D
- Weight: 1.16 pounds
- Mounting: Magnetic backing; brackets and mounting plate as options
- Housing: Commercial-grade plastic
- Overlay: Polyester film with back printed text
- Operating temperature range: 32°F to 158°F (0°C to 70°C)

Electrical

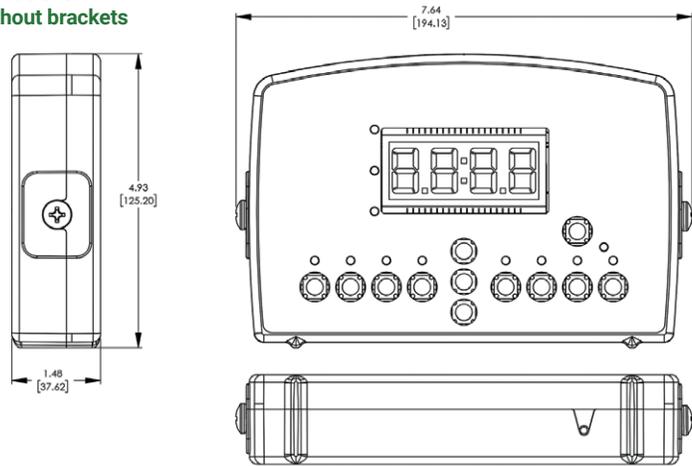
- DC battery power: 4x1.5V AA batteries (6V total)1 sold separately
- Battery charge duration: 10 months*
- Indicators:
 - 4-digit LCD, 7 segment 0.71" digit size
 - LEDs for status and cooking products

Shipping Weight

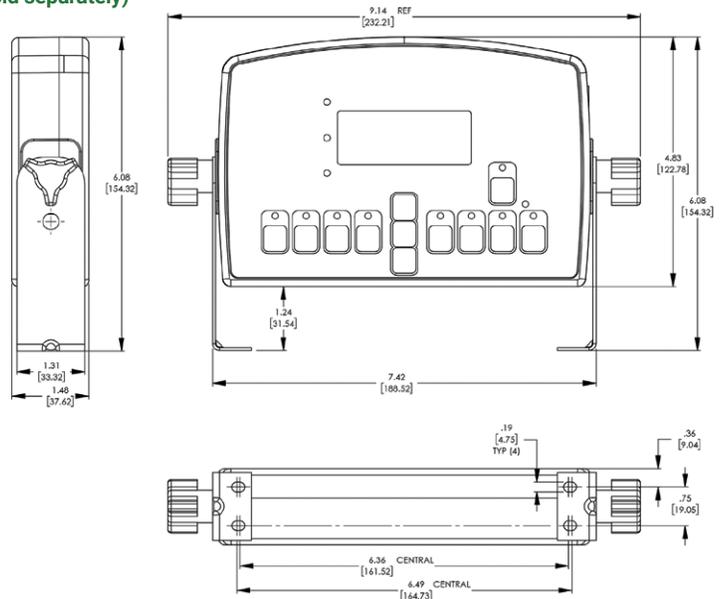
- 1 pound

* Battery life estimation is approximate and dependent on use case

Device shown without brackets



Device shown with brackets (sold separately)



PORTABLE LOW VOLTAGE TIMER
NSF/ANSI2
<SA45245>



Order Info

Part Number	Description
231-60311-11	BB4 Battery Timer
231-60311-01	BB8 Battery Timer
120-60009	Batteries
213-50788-01	Magnetic Plate
213-50766-03	Mounting Bracket Kit