

# Tracker Timer Model 222

8-DISPLAY TIMER  
WITH DAY PART MENU

## Specifications

### Mechanical

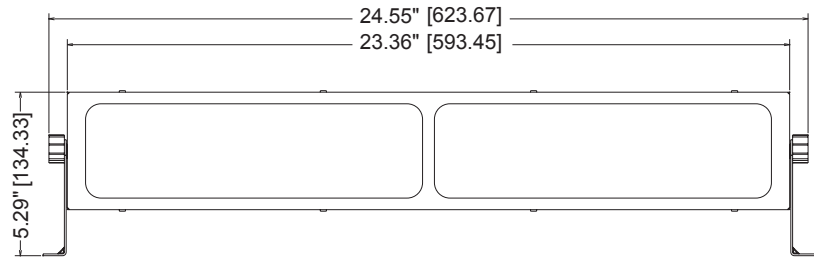
- 20 ga. (.036") stainless steel enclosure
- Polyester face with back-printed text
- Faceplate: polyester with back-printed text and removable menu strip
- Maximum ambient temperature: 158°F / 70°C, 95% max. RH non-condensing

### Electrical

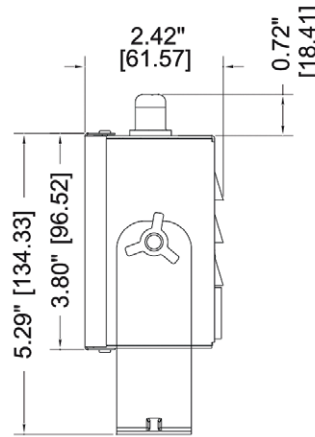
- Power Input: 90-240VAC, 50/60 Hz
- Current less than 0.5 amp
- 8 Four-Digit Displays: .625"H, 14-segment green LED
- Action Alarms: 1 per stage
- Indicators: green LED
- Power Cord: Removable 90-degree angle, 6-ft. oil-resistant neoprene, grounded
- Audio Output: 78 db @ 6 feet
- Solid-state integrated circuit design
- Switch life rating: 10 million cycles
- Status indicators rated life: 50,000 hours
- Noise spike protection: 4000 Volt Minimum (on timers and all properly installed controls)

### Shipping Weight

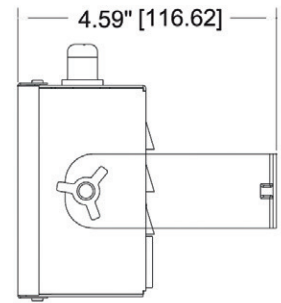
- Approx. 6 lbs. (2.72 Kg)



### Bottom Mount



### Wall Mount



## Order Info

Part Number	Description
TRACK2 2FT	Tracker Model 222 with Day Part Menu

**NOTE:** When ordering, indicate voltage and type of line cord required.

